

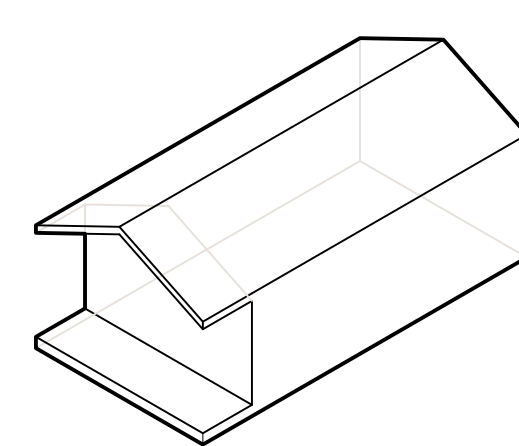
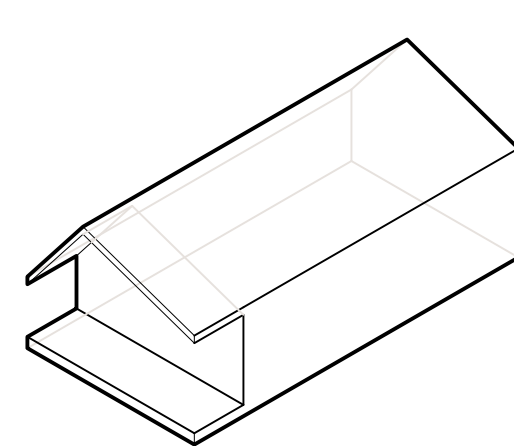
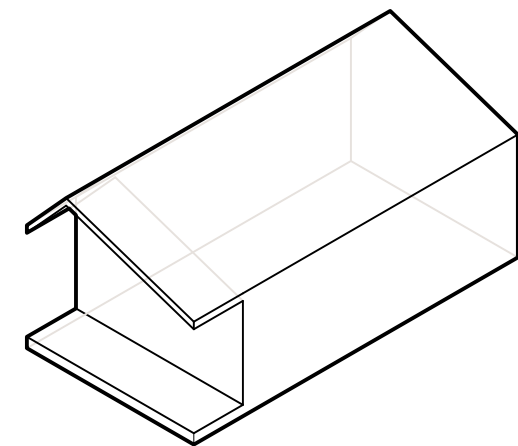
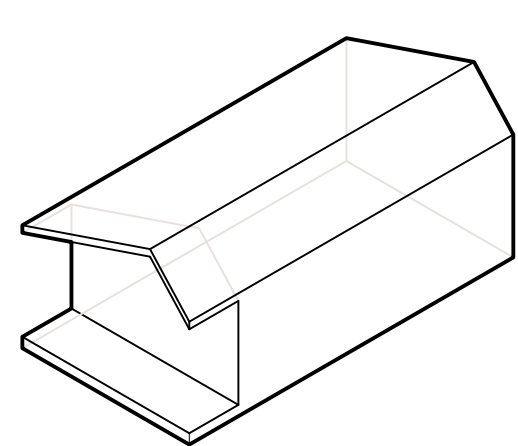
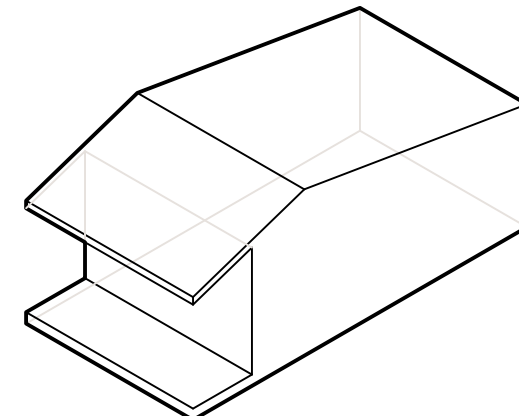
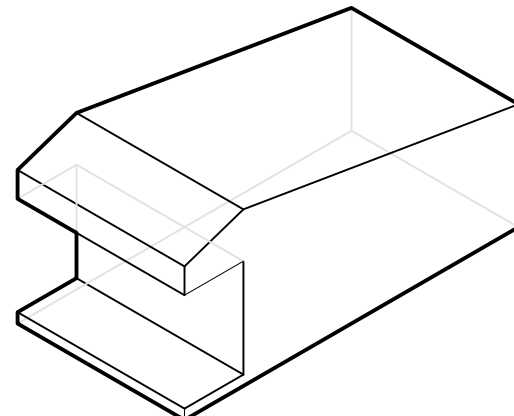
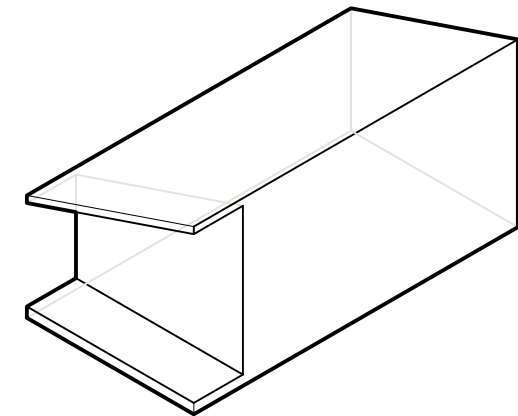
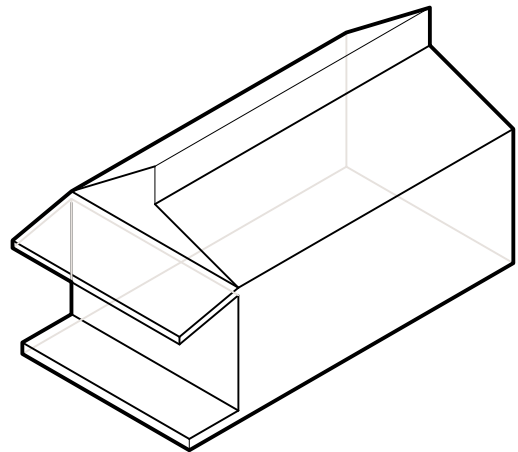
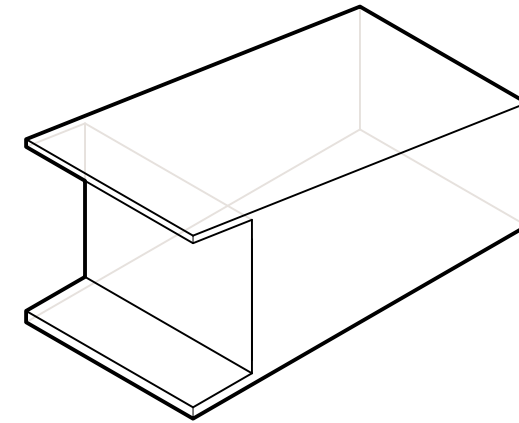
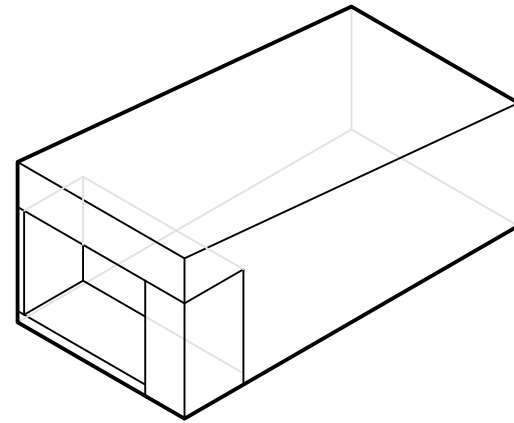
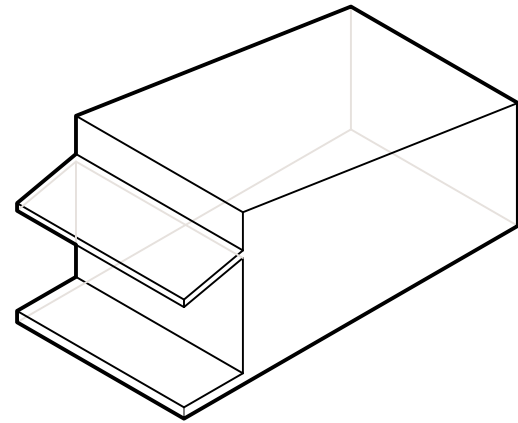
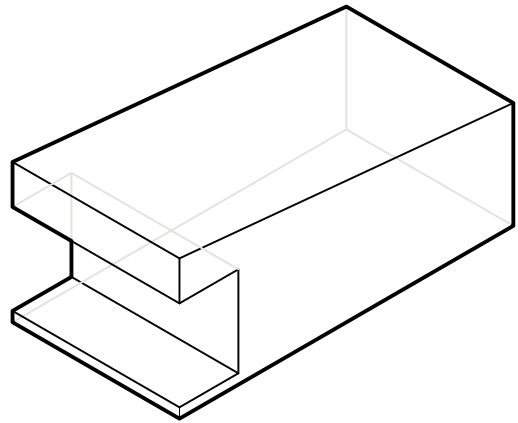
DO NOT SCALE FROM THIS DRAWING

ALL DIMENSIONS TO BE CONFIRMED ON SITE
PRIOR TO MANUFACTURE / FABRICATION OF ALL
ELEMENTS AND CONSTRUCTION

FOLLOWING ELECTRONIC TRANSFER OF
DRAWING INFORMATION, IT IS THE
RESPONSIBILITY OF THE RECIPIENT TO ENSURE
SCALE.

THIS DRAWING IS COPYRIGHT. IT IS SENT TO
YOU IN CONFIDENCE. IT MUST NOT BE COPIED,
REPRODUCED, USED OR DISCLOSED TO OR BY
THIRD PARTIES WITHOUT PERMISSION

General Notes



Rev Date Note

Form Studies
1:200 @ A3

INCH Architecture and Design
Tontine Building, 20 Trongate
Glasgow, G1 5ES
Scotland, UK
+44 0141 552 4910
info@inch-architecture.co.uk
www.inch-architecture.co.uk



Project Description:
Cambusbarron Village Nursery

Drawing Description:
Form Studies

Job No: **320** Drawing No: **320(SK)001** Revision:
Status: **Information**
Drawn By: AM
Checked By: --
Date Created: 29/03/24
Scale: 1:200 @ A3